

AutoSec ATSGC (Frameless Fixed Wing)
Motorised Security Revolving Door for Internal Installation

Technical Specification

Unit Dimensions	Outside Diameters:	2000 or 1830 or 1700mm
	Ceiling Height:	2100mm
	Cornice Height:	335mm
	Overall Unit Height:	2435mm
Drive:	Motorised	
Orientation:	Bi directional passage from both directions simultaneously.	
Materials:	Frame and Cornice:	304 grade stainless steel
	Frame Glazing:	8.2mm 3 ply laminated safety glass
	Rotor Wings:	10mm toughened glass
	Ceiling:	Painted MDF
		Finished White RAL 9010
	Rotor Spindle:	Tubular 304 Grade grained stainless steel (EN10088-2 Grade 1G/2G) with patch fittings.
Function:	Passage in both directions, electronically controllable.	
Method of Operation:	On receiving a signal from the access control system or push button, the door wings will rotate through 180°. Receipt of further authorised signals will continue uninterrupted rotation.	
2nd Quadrant Entry:	Should the authorised user not use the first available quadrant the AutoSec will allow valid entry through the next quadrant.	
Automatic Reversing:	To enforce both security and safety by rejecting potential unauthorised users and avoid entrapment.	
Anti Tailgating:	Prevents unauthorised passage from the opposite direction whilst a valid passage is being made in the other direction. This is achieved via 8N° sensoric sensors located in the ceiling that continuously monitor all four door quadrants.	
Anti Piggy Backing:	Prevents two or more people attempting to pass through the same door quadrant. For optimum security the APB system electronically helps recognise this scenario and rejects the conditions by stopping and reversing the door to reject the occupants.	
Tamper:	An output alarm is generated should any attempt be made to interfere physically with the operation of the door. (15 seconds accumulative time)	
Safety:	The door is fitted with adjustable torque sensing for the forward and reverse directions.	
Power Failure:	The wings will rotate through 45° only to the crucifix position via an inbuilt battery back up (BBU), stop and become inactive. The wings will remain in this position until power is restored.	
Fire Alarm:	The wings will rotate through 45° only to the crucifix position via an inbuilt battery back up (BBU), stop and become inactive. The wings will remain in this position until power is restored. A normally closed (NC) signal is required from others to effect this state.	
Interface:	Momentary Zero Volt (0V) normally open (NO) signal provided by either card reader or push button input of duration between 0.5 and 1.0 second. The AutoSec is controlled via a microprocessor that also offers card reader inhibits, reset, and passage confirmation as standard.	



Product Description

AutoSec ATSGC is an addition to the premium security door in our Control range.

It provides the highest possible level of personnel control, many security features, ease of use and visually a minimal presence.

AutoSec is an essential door to create a secure yet impressive entrance to any building.

Users include

- Government
- Banks
- Police HQ's
- Security Printers
- Finance
- Telecommunications
- Information Technology
- Petrochemical



- Walkway Downlights:** 4N^o recessed low voltage halogen downlights are positioned within the ceiling over each quadrant.
- Servicing:** Via hatches in the walkway ceiling or from overhead. The controller should always be positioned on the secure side of the installation.
- Power Supply Voltage:** 115/230 VAC 50/60Hz
- Power Rating:** 1300 VA
- Logic Voltage:** 24vDC
- Installation Details:** The AutoSec is delivered in kit form, which may require lifting equipment to off load.
- Approximate Weight:** 600Kg

Models Available

AutoSec Motorised Security Revolving Door

- Model ATS1700GC 1700 dia. footprint.
- Model ATS1830GC 1830 dia. footprint.
- Model ATS2000GC 2000 dia. footprint.

Accessories and Optional Extras

Access Control Facilities:

- Card reader mounting box
- Push button mounting box c/w push button
- Simple remote override console to control both, or either, entry and exit for visitor access.

Switchable Day / Night Mode:

- Day mode allows free access through the door from presence sensing via a non-security PIR detector. The door will rotate on an input from the sensor and continue as long as the person is detected. (No security)
- Night mode puts the door back into access control mode. (Full security)

Optional Finishes:

- Alternative finishes and colours
- 11.4mm 5 ply anti bandit glass
- Tinted glass

Status Lights:

- LED Red Cross and Green Arrow displays

Uninterrupted Power Supply:

- UPS is located remotely and will have the ability to keep the AutoSec operating continuously in its normal operating mode for a period of one hour after the mains power has failed.

Floor Mat:

- Dimpled rubber with a straight threshold strip between the uprights

Night Shutter:

- Either solid or glazed manually operated to close and lock the exposed quadrant during night time hours

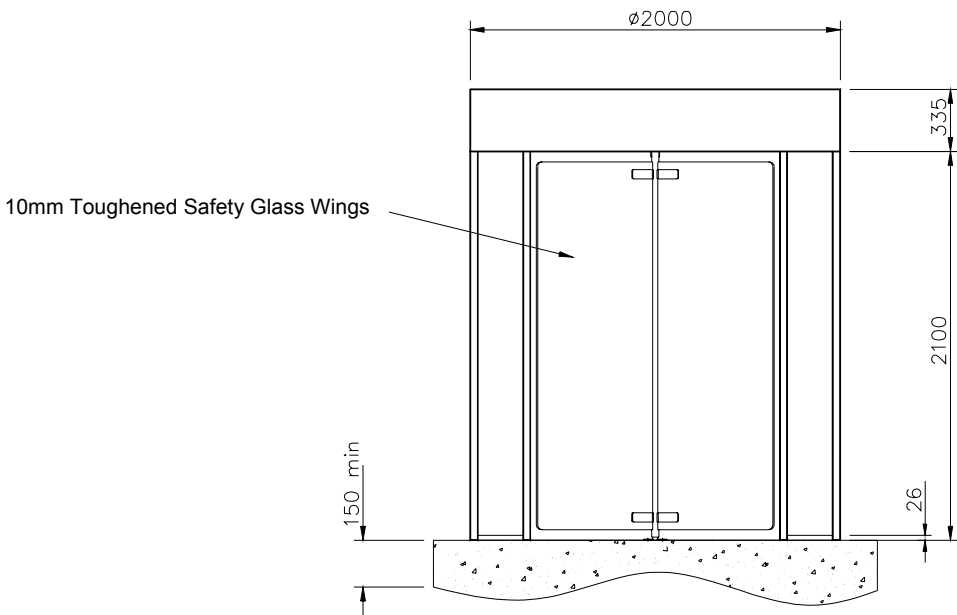
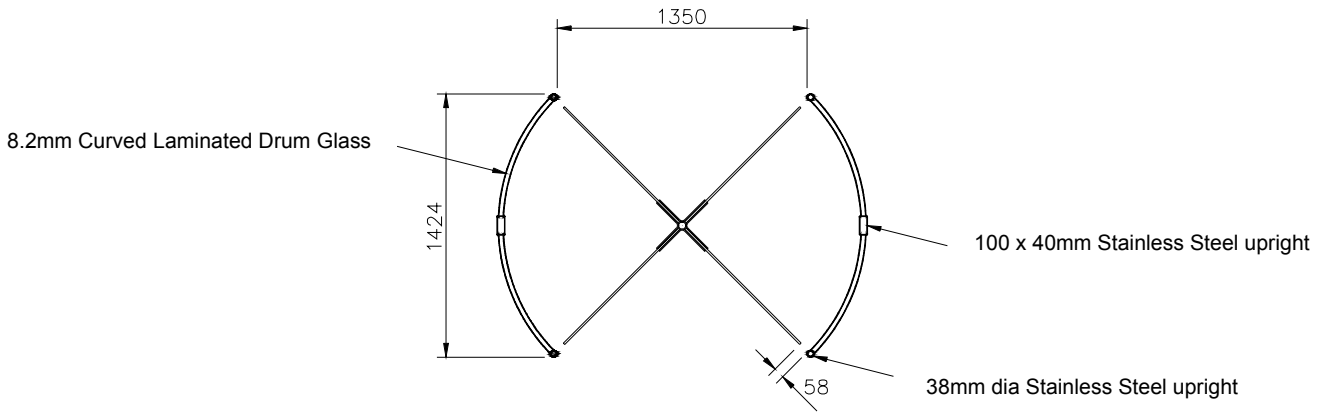
Increased Cornice:

- The height of the cornice can be extended to fill a gap above the door.

Installation Examples

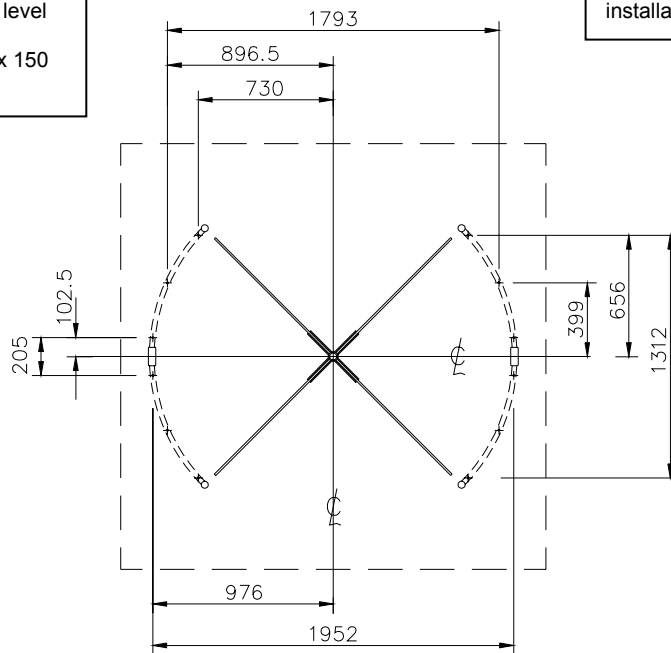


Site Preparation ATS2000GC



Concrete Base to BS 5328:1997 specification. Base to be flat and level to +/- 5mm over footprint area. Dimensions to be > 2300 x 2300 x 150 deep min.

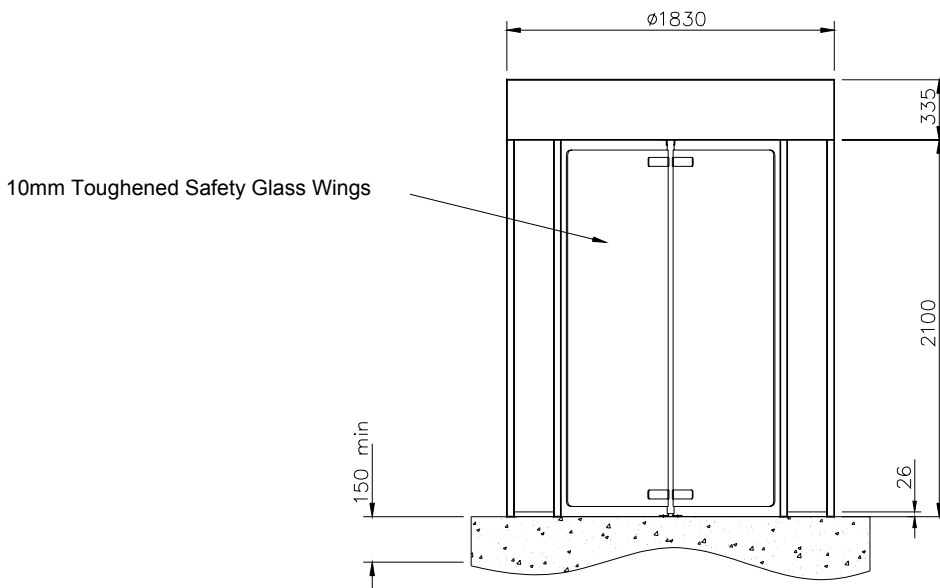
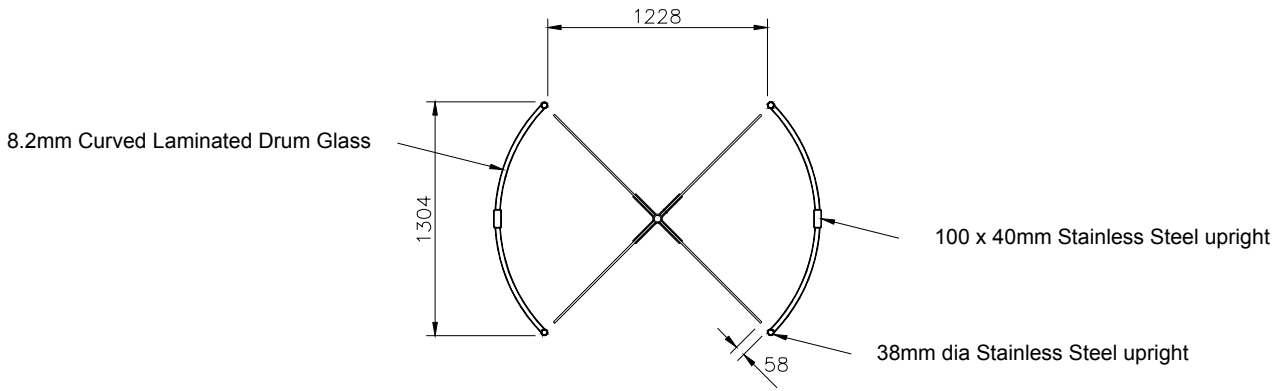
Floor Anchors to be drilled during installation, 8mm dia x 50mm deep.



IMPORTANT

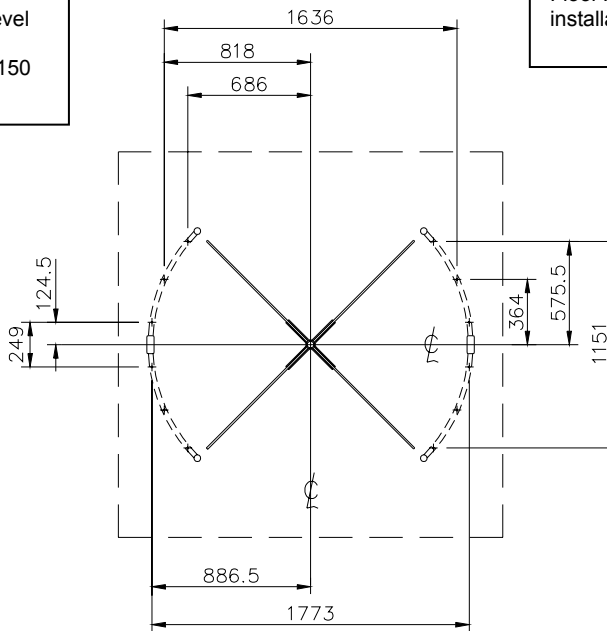
- Any horizontal pipe or conduit runs below the AutoSec must be at least 140mm below FFL.
- It is the customer's responsibility to ensure the structural integrity and strength of the installation

Site Preparation ATS1830GC



Concrete Base to BS 5328:1997 specification. Base to be flat and level to +/- 5mm over footprint area. Dimensions to be > 2100 x 2100 x 150 deep min.

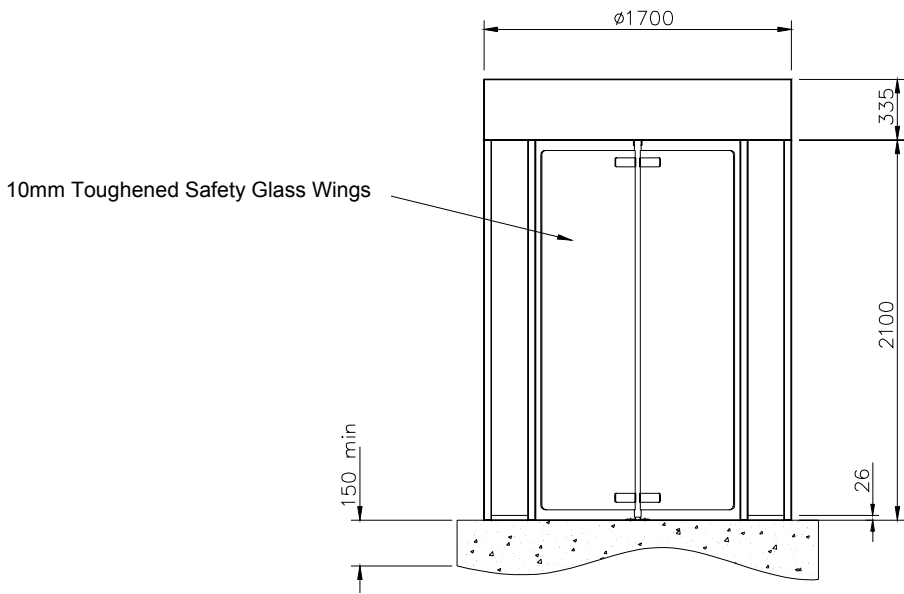
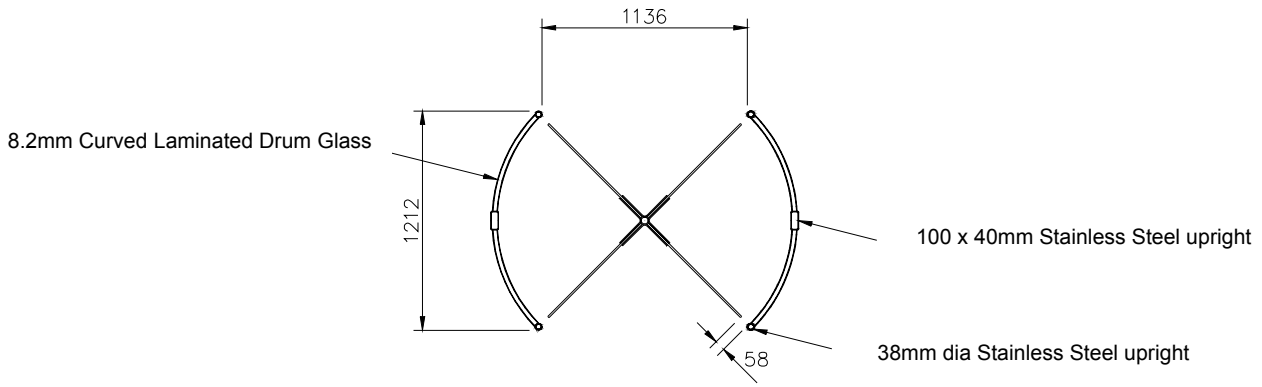
Floor Anchors to be drilled during installation, 8mm dia x 50mm deep.



IMPORTANT

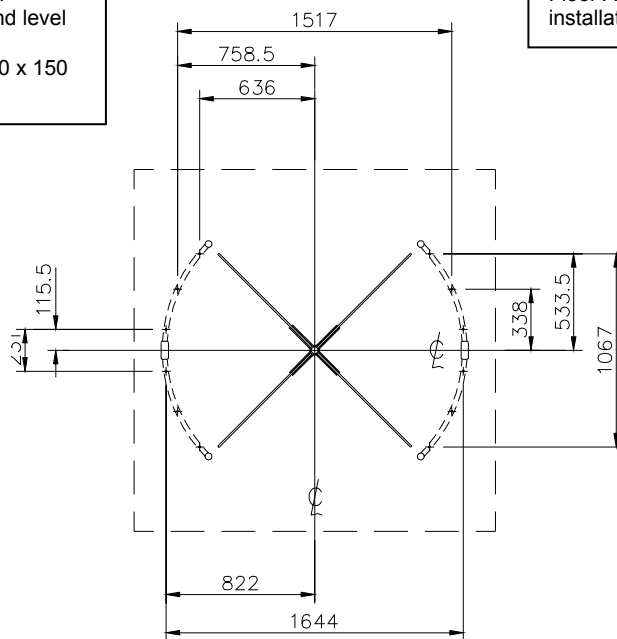
- Any horizontal pipe or conduit runs below the AutoSec must be at least 140mm below FFL.
- It is the customer's responsibility to ensure the structural integrity and strength of the installation

Site Preparation ATS1700GC



Concrete Base to BS 5328:1997 specification. Base to be flat and level to +/- 5mm over footprint area. Dimensions to be > 2100 x 2100 x 150 deep min.

Floor Anchors to be drilled during installation, 8mm dia x 50mm deep.



IMPORTANT

- Any horizontal pipe or conduit runs below the AutoSec must be at least 140mm below FFL.
- It is the customer's responsibility to ensure the structural integrity and strength of the installation

GUNNEBO MAYOR

ENTRANCE CONTROL SOLUTIONS

United Kingdom

Gunnebo Mayor Ltd. Bellbrook Business Park, Uckfield, East Sussex, TN22 1QQ.
Tel +44 (0) 1825 761022 Fax +44 (0) 1825 763835

Gunnebo Mayor Ltd. Orient House, Newton Street, Hyde, Cheshire, SK14 4RX
Tel +44 (0) 161 882 5900 Fax +44 (0) 161 882 5910

www.gunnebomayor.com

Note: In pursuit of its policy of continuous refinement and improvement, Gunnebo Mayor Ltd. reserves the right to modify design and details.

A COMPANY WITHIN THE GUNNEBO GROUP

HEAD OFFICE SWEDEN – Gunnebo Entrance Control AB, SE-590 93, Gunnebo.
Tel +46 (0) 490 89000, Fax +46 (0) 490 23889

DENMARK Gunnebo Protection A/S
Division Entrance Control
Erhvervsparken 3, DK-4621 Gadstrup
Tel +45 46 19 14 66
Fax +45 46 19 14 55

FRANCE Gunnebo Entrance Control SARL
Zone d'Activites Le Mandinet,
20 Rue des Campanules
F-77185, Lognes
Tel +33 (0) 1 64 80 14 40
Fax +33 (0) 1 64 80 14 39

GERMANY Gunnebo Entrance Control GmbH
Diagonalstrasse 41, D-20537
Hamburg
Tel +49 (0) 40 47 11 30 0
Fax +49 (0) 40 47 11 30 79

HONG KONG Gunnebo Entrance Control
Room 2312, C.C. Wu Building,
302-308 Hennessy Road, Wanchai.
Tel +852 2882 8337
Fax +852 2523 7880

ITALY Gunnebo Italdis SpA
Via A Volta 15 - IT 38015
Lavis (TN)
Tel +39 0461 248 900
Fax +39 0461 248 999

NORWAY Gunnebo Troax A/S
Division Entrance Control
Postboks 179, Kalbakken N-0903, Oslo
Tel. +47 22 80 42 00
Fax +47 22 80 42 01

SPAIN Gunnebo Entrance Control
BBC, Comte d'Urgel 143, lola 08036,
Barcelona
Tel +34 93 452 59 56
Fax +34 93 451 56 53

SWEDEN Gunnebo Entrance Control
Box 500, Kumla Gardsvag 33F, 145 63
Norsborg
Tel +46 (0) 8 53 17 15 75
Fax +46 (0) 8 53 18 85 39

UNITED KINGDOM Gunnebo Mayor Ltd
Bellbrook Business Park, Uckfield,
East Sussex, TN22 1QQ
Tel +44 (0) 1825 761022
Fax +44 (0) 1825 763835

USA Gunnebo Omega Inc
5056 Commercial Circle, Suite E,
Concord, California, CA 94520
Tel +01 925 609 6339
Fax +01 925 603 0810