

GE Security

The Legend from GE Security sets a new standard for integrated dome cameras. SilkTrak™ direct drive technology eliminates roughness common to other domes. Programming for presets, tours, macros, privacy masks, alarms, and more is completed via easy-to-use menus.

SilkTrak™ direct drive eliminates gears and belts for improved performance and reliability. The closed-loop positioning technology provides preset positioning accuracy of ± 0.015 degrees.

A 26x optical zoom camera with 12x digital zoom gives this new dome a 312x total zoom. Optically superior injection-molded dome bubbles insure crystal clear images, even at the highest zoom magnifications.

With 184-degree tilt travel for above-horizon viewing and electronic image flip, the camera can track activity directly underneath it without having to spin on its pan axis. Each of the 127 preset positions stores the pan, tilt, and zoom position along with a complete list of camera settings including backlight compensation, iris, and shutter settings.

Sixteen shadow tours can store a total of 20 minutes of pan, tilt, and zoom operation. Program up to 32 macros,

each with up to 16 steps that can be set for presets, tours, relay outputs, or links to other macros. Eight alarm inputs can be assigned to presets, tours, or macros and can control either or both relay outputs.

Of the 24 available privacy masks, eight can be displayed simultaneously, allowing portions of an image to be covered. This prevents operators from looking in on neighboring or sensitive areas. Spherical privacy masking uses a 3D representation of the camera view and eliminates mask drift caused by camera tilt angle.

Separate passcode levels prevent unauthorized personnel from changing programming settings while still allowing administrative access.

Housing options are available for indoor and outdoor applications. Exterior housings are rated for weather resistance.

Features

- SilkTrak™ direct drive for smooth and precise PTZ movement
- Comprehensive programming choices via graphical menus provide flexibility for all applications
- Housing options available for indoor and outdoor applications—all exterior housings rated for weather resistance
- New 26x day/night camera with removable IR cut filter
- Spherical privacy masking
- Single hand insertion and removal
- Built-in coax and UTP video connections

Legend Next-generation PTZ dome camera



Legend Dome Options

Available housings:

- Flush mount ceiling
- Pendant mount
- Pendant mount with heater and fan
- Wall mount
- Wall mount with heater and fan
- Heavy duty
- Heavy duty with heater and fan
- Rugged pendant
- Rugged pendant with heater and fan
- Plenum-rated flush mount (coming soon)



Available bubbles:

- Clear acrylic
- Smoke acrylic
- Chrome mirrored acrylic
- Gold mirrored acrylic
- Clear polycarbonate (HD, rugged only)
- Smoke polycarbonate (HD, rugged only)

Available cameras (NTSC or PAL option):

- 18x color camera
- 26x day/night camera
- 26x day/night camera w/ stabilization

General Specifications

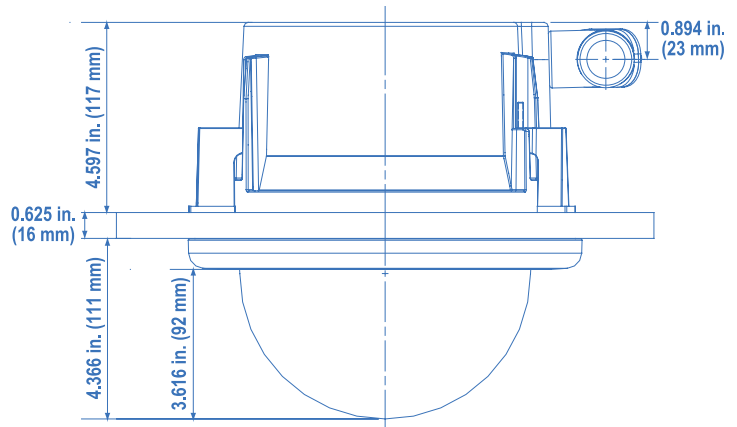
Operation

- Closed loop SilkTrak™ direct drive motor system
- 32 macros; 16 steps per macro; linkable
- 16 shadow tours; 20 minutes total duration
- 127 presets with title and individual camera settings
- Auto return: 1 to 60 minutes; any preset, tour, macro, autopan
- Continuous zoom adjusted pan/tilt
- Electronic image flip
- 120 programmable areas per dome, each with title
- 24 total privacy masks; 8 displayed simultaneous; with spherical privacy masking
- 8 built-in alarm inputs
- 2 relay outputs

Environmental

- Operating temperature, without heater/blower: 32 to 122°F (0 to 50°C)
- Operating temperature, with heater/blower: -40 to 122°F (-40 to 50°C)

Flush mount ceiling and plenum-rated flush mount*



The indoor flush-mount housing is designed for in-ceiling applications. A T-bar support kit is included. A flush-mount housing for plenum-rated applications is also available.

Specifications

Electrical

- Operating voltage: 24 VAC +/- 4 VAC
- Power: 30 W startup; 16 W running

Mechanical

- Environmental enclosure: Rated IP50
- Dimensions: 9.5 in. dia. x 9.6 in. high (241 x 243 mm)
- Weight (housing and PTZ): 6 lb., 8.5 oz. (2.96 kg)
- Construction: ABS plastic
- Color: Gray

* plenum-rated housing not currently available - coming soon!

Pendant mount and pendant mount with heater and fan

The weatherproof pendant-mount housing can be used for indoor or outdoor applications. Both the pendant mount and pendant mount with heater and fan are rated IP55. With the heater/fan option, the housing can be used in temperatures to -40°F (-40°C)..

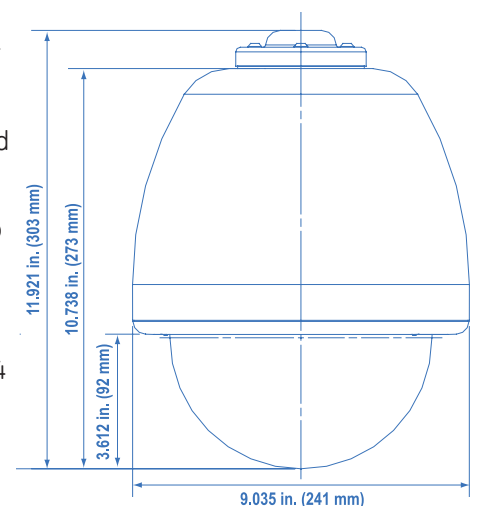
Specifications

Electrical

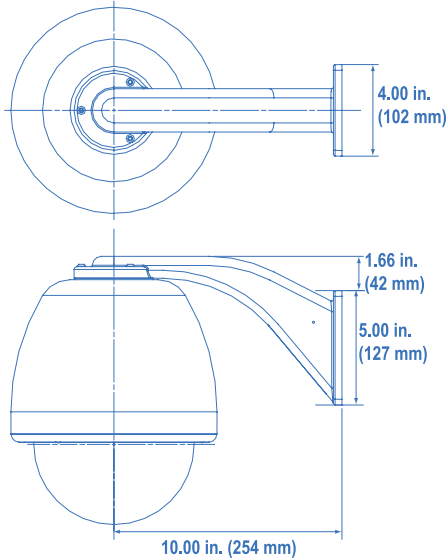
- Operating voltage: 24 VAC +/- 4 VAC
- Power: 30 W startup; 16 W running
- Power, with heater: 60 W startup; 36 W running

Mechanical

- Environmental enclosure: Rated IP55
- Dimensions: 9.5 in. dia. x 11.9 in. high (241 x 303 mm)
- Weight (housing, heater/fan, and PTZ): 6 lb., 8.5 oz. (2.96 kg)
- Construction: ABS plastic
- Color: Gray



Wall mount and wall mount with heater and fan



The weatherproof wall-mount housing can be used for indoor or outdoor applications. The wall arm is constructed of cast aluminum. Both the wall mount and wall mount with heater and fan are rated IP55. With the heater/fan option, the housing can be used in temperatures to -40°F (-40°C).

Specifications

Electrical

- Operating voltage: 24 VAC +/- 4 VAC
- Power: 30 W startup; 16 W running
- Power, with heater: 60 W startup; 36 W running

Mechanical

- Environmental enclosure: Rated IP55
- Dimensions: 9.5 in. dia. x 9.6 in. high (241 x 243 mm)
- Weight (housing, heater/fan, and PTZ): 8 lb., 8.5 oz. (3.87 kg)
- Construction: ABS plastic
- Color: Gray

Heavy duty and heavy duty with heater and fan

The weatherproof heavy duty housing is designed to hold up under tough outdoor use. Both the heavy duty and heavy duty with heater and fan come with adjustable wall mount brackets. With the heater/fan option, the housing can be used in temperatures to -13°F (-25°C).

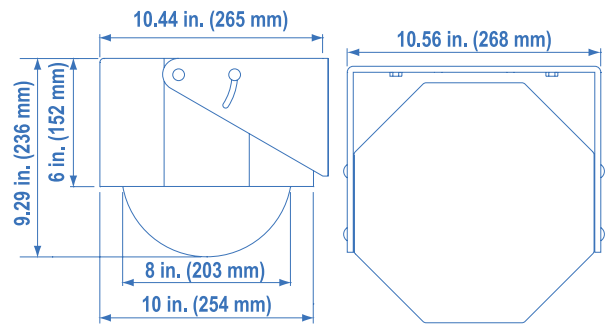
Specifications

Electrical

- Operating voltage: 24 VAC +/- 4 VAC
- Power: 30 W startup; 16 W running
- Power, with heater: 100 W startup; 66 W running

Mechanical

- Dimensions: 10.56 in. wide x 9.29 in. high (268 x 236 mm)
- Weight (housing, heater/fan, and PTZ): 13 lb., 8 oz. (6.12 kg)
- Construction: Cast aluminum
- Color: Gray



Rugged pendant and rugged pendant with heater and fan

The weatherproof rugged pendant housing is for outdoor applications that require tamper resistance. Both the rugged pendant and rugged pendant with heater and fan are rated IP66. With the heater/fan option, the housing can be used in temperatures to -40°F (-40°C).

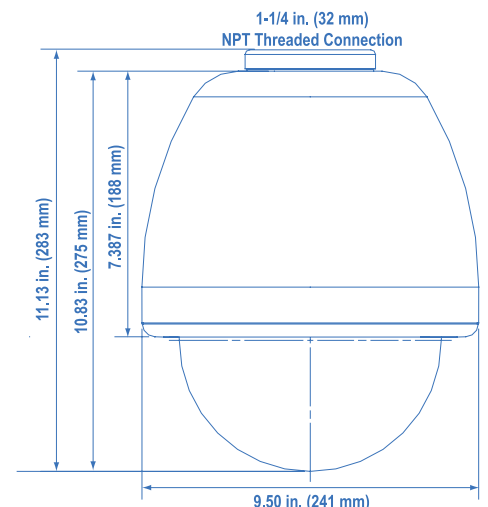
Specifications

Electrical

- Operating voltage: 24 VAC +/- 4 VAC
- Power: 30 W startup; 16 W running
- Power, with heater: 100 W startup; 66 W running

Mechanical

- Environmental enclosure: Rated IP66
- Dimensions: 9.5 in. dia. x 11.1 in. high (241 x 283 mm)
- Weight (housing, heater/fan, and PTZ): 12 lb., 8.5 oz. (5.68 kg)
- Construction: Cast aluminum
- Color: Gray



Camera specifications

Camera: 18x

- Image sensor: 1/4 in. CCD
- Zoom: Optical 18x, digital 12x
- Resolution: 470 TVL NTSC; 460 TVL PAL
- Synchronization: Internal/external (V-Lock)
- Lens: F=4.1 mm (wide) to 73.8 mm (tele); F1.4 to F3.0
- Angle of view (H): 48° (wide) to 2.8° (tele)
- Sensitivity: 0.7 lux at 1/60 sec NTSC or 1/50 sec PAL; 0.05 lux at 1/4 sec NTSC or 1/3 sec PAL
- Electronic shutter speed: 1/1 to 1/10,000 sec, 14 steps, NTSC; 1/1 to 1/10,000 sec, 14 steps, PAL
- Video output: 1.0 V p-p

Camera: 26x Day/Night

- Image sensor: 1/4 in. CCD
- Zoom: Optical 26x, digital 12x
- Resolution: 470 TVL NTSC; 460 TVL PAL
- Synchronization: Internal/line lock
- Lens: F=3.5 mm (wide) to 91 mm (tele); F1.6 to F3.8
- Angle of view (H): 54.2° (wide) to 2.2° (tele)
- Sensitivity: 1.0 lux at 1/60 sec NTSC or 1/50 sec PAL; 0.07 lux at 1/4 sec NTSC or 1/3 sec PAL
- Sensitivity, ICR-on: 0.15 lux at 1/60 sec NTSC or 1/50 sec PAL; 0.01 lux at 1/4 sec NTSC or 1/3 sec PAL

- Electronic shutter speed: 1/1 to 1/10,000 sec, 14 steps, NTSC; 1/1 to 1/10,000 sec, 14 steps, PAL
- Video output: 1.0 V p-p

Camera: 26x Day/Night with Image Stabilization

- Image sensor: 1/4 in. CCD
- Zoom: Optical 26x, digital 12x
- Resolution: 470 TVL NTSC; 460 TVL PAL
- Synchronization: Internal/line lock
- Lens: F=3.5 mm (wide) to 91 mm (tele); F1.6 to F3.8
- Angle of view (H): 42.0° (wide) to 1.6° (tele)
- Sensitivity: 2.0 lux at 1/60 sec NTSC or 1/50 sec PAL; 0.14 lux at 1/4 sec NTSC or 1/3 sec PAL
- Sensitivity, ICR-on: 0.7 lux at 1/60 sec NTSC or 1/50 sec PAL; 0.05 lux at 1/4 sec NTSC or 1/3 sec PAL
- Electronic shutter speed: 1/1 to 1/10,000 sec, 14 steps, NTSC; 1/1 to 1/10,000 sec, 14 steps, PAL
- Video output: 1.0 V p-p



Bubble specifications

Legend gives you a choice of four different acrylic bubbles or two polycarbonate bubbles for your dome housing. Strike a balance between how discreet you want your camera position to be and how much light you have to work with.

Polycarbonate bubbles are designed for and work with the heavy duty and rugged pendant housings.

Clear acrylic	No light loss
Smoke acrylic	Approximately 1/2 f-stop light loss
Chrome mirrored acrylic	Approximately 2 f-stop light loss
Gold mirrored acrylic	Approximately 2 f-stop light loss
Clear polycarbonate	No light loss Available for heavy duty and rugged housings
Smoke polycarbonate	Approximately 1/2 f-stop light loss Available for heavy duty and rugged housings

Legend accessories

GEA-102

Cast-aluminum wall-mount arm

- Weight: 2.0 lb. (0.91 kg)
- Material: Aluminum
- Finish: Gray



GEA-104

Parapet swing-arm mount

- Weight: 7.75 lb. (3.52kg)
- Material: Aluminum
- Finish: Gray powder coat



GEA-105

Corner-mount adapter

- Weight: 1.9 lb. (0.86 kg)
- Material: Aluminum
- Finish: Gray powder coat



GEA-106

Pole-mount adapter

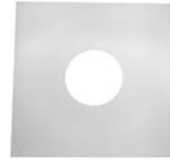
- Weight: 14.4 oz. (408 g)
- Material: Aluminum
- Finish: Gray powder coat



GEA-107

Roof-mount adapter

- Weight: 1.2 lb. (0.54 kg)
- Material: Aluminum
- Finish: Gray powder coat



GEA-113

Ceiling panel

- Weight: 3.2 oz. (91 g)
- Material: Steel
- Finish: White enamel



GEA-114

T-Bar support kit

- Weight: 6.4 oz. (181 g)
- Material: Steel
- Finish: Galvanized



Parapet-capping brackets

- Material: 0.25 in aluminum
- Finish: Gray powder coat

GEA-108: Corner, narrow

- 6 to 12 in. (152 to 305 mm)
- Weight: 7 lb. (3.18 kg)



GEA-109: Corner, wide

- 12 to 17 in. (305 to 432 mm)
- Weight: 8 lb. (3.63 kg)

GEA-110: Straight, narrow

- 6 to 12 in. (152 to 305 mm)
- Weight: 14 lb. (6.4 kg)



GEA-111: Straight, wide

- 6 to 12 in. (305 to 432 mm)
- Weight: 15 lb. (6.8 kg)



Legend Ordering Guide

Please contact your GE Security sales representative for availability and pricing.

Americas
503-885-5700
888-GE-SECURITY
(437-3287)
faxback 800-483-2495
info@gesecurity.com
www.gesecurity.com

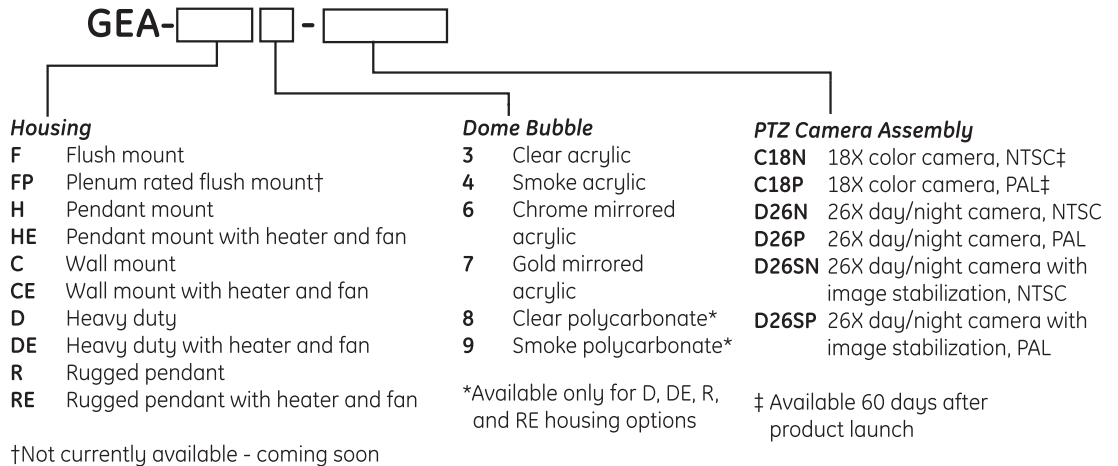
Asia
tel 852-2907-8108
fax 852-2142-5063

Australia
tel 61-3-9259-4700
fax 61-3-9259-4799

Europe
tel 32-2-725-11-20
fax 32-2-721-86-13

Latin America
tel 305-593-4301
fax 305-267-4300

First, choose the Legend housing, bubble, and camera that you want.



Then, choose mounting accessories from the list below.

Accessories

- GEA-102** Wall-mount arm, cast aluminum
- GEA-104** Parapet swing-arm mount
- GEA-105** Corner-mount adapter
- GEA-106** Pole-mount adapter
- GEA-107** Roof-mount adapter
- GEA-108** Parapet cap, corner, narrow
- GEA-109** Parapet cap, corner, wide
- GEA-110** Parapet cap, straight, narrow
- GEA-111** Parapet cap, straight, wide
- GEA-113** T-bar ceiling panel
- GEA-114** T-bar panel support kit