

**SpeedStile EP**

**Bi-Parting Gate for Internal Installation**

**Technical Specification**

**Unit Dimensions:** Casework Length (Normally Closed) 1420mm  
(Normally Open) 1900mm  
Casework Height 950mm  
Casework Width 300mm  
Clear Walkway 550mm

**Drive:** Motorised

**Materials:** Top: Painted Polyurethane finished RAL 5013 (Cobalt Blue)  
Front: Painted Polyurethane finished RAL 5013 (Cobalt Blue)  
Wing Housing: Painted Steel finished to match Top and Front  
Inlay: 304 grade grained Stainless Steel  
Wings: 15mm clear Acrylic  
Side Doors: Cobalt Grey 8.5mm 3 ply laminate safety glass  
Plinth: 304 grade grained Stainless Steel

**Function:** Passage in both directions electronically controlled.  
The SpeedStile is available in Normally Open (N/O) or Normally Closed (N/C) mode. In N/O the SpeedStile provides an always open walkway in rest position and will only close at unauthorised entry or tailgating attempts. This gives increased MTBF times.

In N/C the SpeedStile provides a closed walkway and will only open on acceptance of an authorised signal.

**Drive Mechanism:** The wings are moved by mechanical arms. The arms are rotated by a torque shaft connected to the drive unit. The drive unit is a DC motor working in conjunction with a bi-directional encoder. A microprocessor control system guarantees the precise movement and positioning of the wings.

A safety photocell prevents the wings from closing on an obstruction. Should the normal wing operation be stopped by an obstruction, the controlling logic detects an abnormal condition and reverses the wing to the fully open position.

**Method of Operation:** On receiving a signal from the access control system, or push button, the wings open. If an unauthorised person tries to tailgate or attempts to enter from the opposite direction, the system detects the unauthorised passage and activates the in-built alarm system.

Presence sensing is achieved by 6 No. infrared sensors for the short cabinet (N/C) and 14 No. for the long cabinet (either N/C or N/O)

**Status Lights:** 50mm dia. LED display Status Lights flush mounted within the SpeedStile lid top face. The Green badge symbol is continuously illuminated indicating passage is available. Upon authorisation a Green arrow will illuminate in the direction of passage authorisation whilst in the opposite direction a Red cross symbol will illuminate to indicate the unit is not available for use or is already in use.

**Power Failure:** In the event of a power failure the wings will remain in the current position

**Fire Alarm:** Input facility is available for voltage free contact supplied by others to effect fail state.

**Interface:** Potential free contact provided by either cardreader or pushbutton input. Cardreader inhibit and reset outputs signals are available as standard.  
  
The unit has an adjustable time out facility if required, i.e. Go signal will be cancelled if the passage through the SpeedStile is not completed within a pre-set time. The Standard default is 8 seconds adjustable via parameter change.



**Product Description**

This award winning range of entrance gates from our Regulate range is the latest for today's security requirements.

New concepts, new materials, personalisation with a selection of operating systems, and features. Proven technology, for fast, reliable operation.

"Normally Closed" presents obvious security, whilst "Normally Open" is for the more subtle presence.

**Users include**

- Government
- Retail
- Finance
- Telecommunications
- Information Technology
- Banking
- Publishing
- Leisure
- Petrochemical
- Education



|                              |   |        |
|------------------------------|---|--------|
| <b>Power Supply:</b>         | 115/230 Volts AC 50/60 Hz   |        |
| <b>Power Rating:</b>         | Stand by  | 10 VA  |
|                              | In operation  | 300 VA |
| <b>Logic Voltage:</b>        | 24 Volt DC  |        |
| <b>Installation Details:</b> | The SpeedStile is delivered as a fully assembled unit and may require lifting gear for off loading. |        |
| <b>Approximate Weight</b>    | First Lane 110 kg per cabinet<br>Next Lane 130 kg per cabinet                                       |        |

## Models available

### SpeedStile Motorised Bi-Parting Gate

#### Normally Open

- Model EPFLNO: Single Walkway - electrically controlled in both directions (comprising 2 No. single units)
- Model EPNLNO: Central unit - electrically controlled in both directions (used in multiple walkway configurations)

#### Normally Closed

- Model EPFLNC: Single Walkway - electrically controlled in both directions (comprising 2 No. single units)
- Model EPNLNC: Central unit - electrically controlled in both directions (used in multiple walkway configurations)

## Accessories and Optional Extras

### Alternative Materials, Finishes and Custom Design

- Refer to Gunnebo Mayor for specific material design requirements.
- Alternative PUR RAL colours, finishes and effects.
- Inlay material options.

### Cardreader Mounting (Please refer to Gunnebo Mayor for feasibility)

- Integration of customer supplied readers into the SpeedStile Top or Front inlays.
- Cardreader Pedestals.

### Battery Back Up

- On power failure, the battery back up option will allow the wings to open (or close), stop and become inactive. The wings will remain in this position until power is restored.

### Push Button Control

- Simple console to control SpeedStile wing release.
- Remote console to specific requirements.
- Casework mounted push button.

### Additional Interface

- RS 485 Serial Interface

### Traffic Flow Control

- LED Way Mode Indicator – Switching Red cross and Green arrow to indicate the unit is available for use
- Remote switching of unit for Traffic Flow.

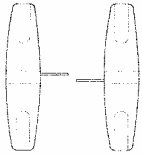
### Counting

- LCD Counter
- Electro-mechanical Counter

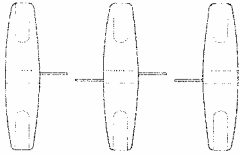
## Installation Examples



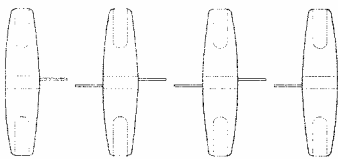
## SpeedStile General Lane Configuration



One Lane configuration comprising of 1N<sup>o</sup> First Lane cabinets



Two Lane configuration comprising of 1N<sup>o</sup> First Lane and 1N<sup>o</sup> Next Lane cabinets



Three Lane configuration comprising of 1N<sup>o</sup> First Lane and 2N<sup>o</sup> Next Lane cabinets

## Status Light User Instructions (Dedicated user handout templates are available from Gunnebo)

### • Normal Use



#### **Green Card** (Rest mode)

- Present personal security card to the reader mounted on the unit for authorisation.
- Wait for the Green Arrow to illuminate and the barrier to open.



#### **Green Arrow** (Authorised use or designated free passage)

- Proceed through the unit.

**Note** - For FREE PASSAGE configuration, authorisation is not required and is normally used for EXIT only.



#### **Red Cross** (Unit in use or no passage)

- Wait until the passageway has been vacated and either the Green Card or Green Arrow to illuminate. (See above)

### • Alarm Conditions



#### **Flashing Red Cross and Audible Alarm** (Fraudulent condition)

- This alarm mode will be activated via the following scenarios;

Passageway is already in use and a second person has attempted to follow through without authorisation. (Tailgating) OR Passageway is currently in use and you do not have right of passage.

- **Do not panic.**
- Vacate the passageway.
- Wait for the flashing Red Cross to stop flashing and the Audible Alarm to cease.
- Wait for the Green Arrow to illuminate to indicate who has the right of passage.



#### **Flashing Green Card** (Incorrect use mode)

- **Do not panic.**
- Remain in the walkway and present personal security card to the reader mounted on the unit for authorisation.
- Authorisation of passage will cancel the alarm condition.

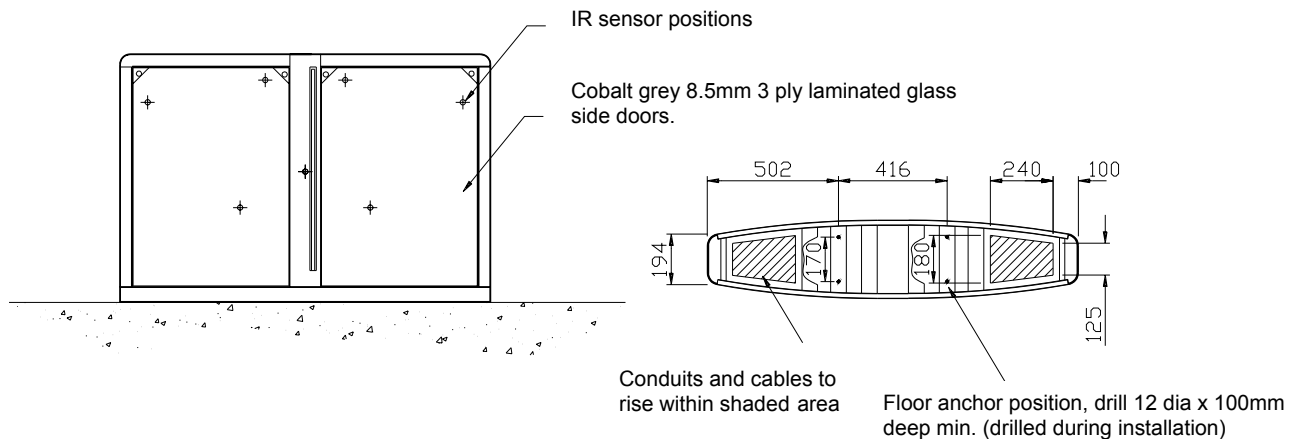
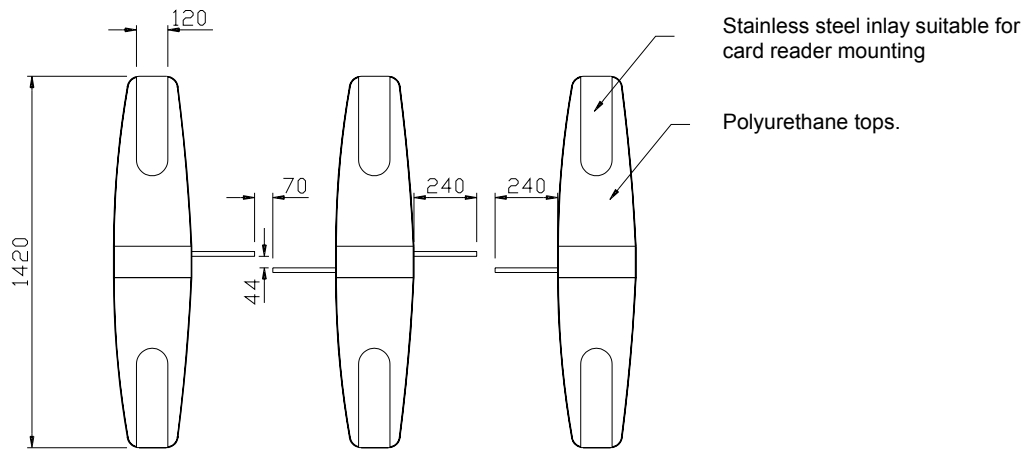
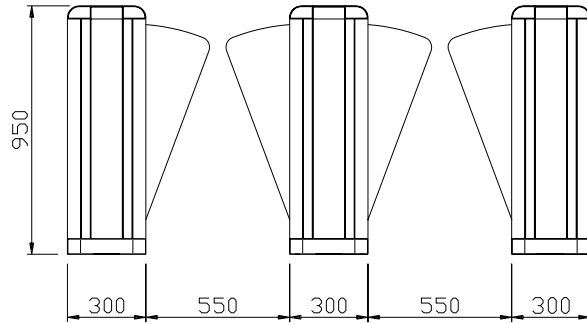


#### **Flashing Green Arrow** (Emergency / Fire Exit)

- **Do not panic.**
- There is FREE PASSAGE to evacuate through the gate

# Site Preparation SpeedStile EP

Short Cabinet Normally Closed only  
 (Panels shown in closed position in First and Next Lane configuration)



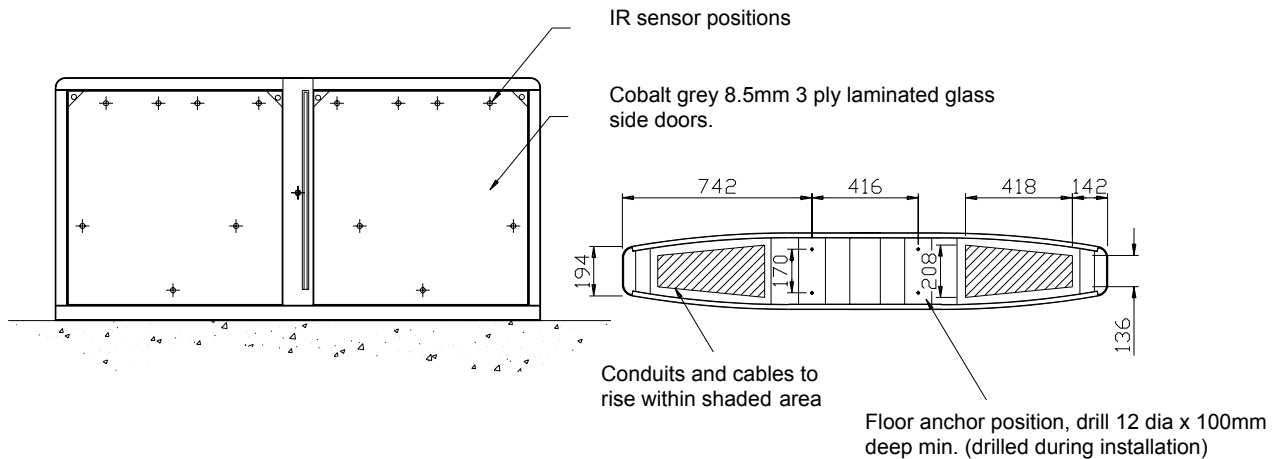
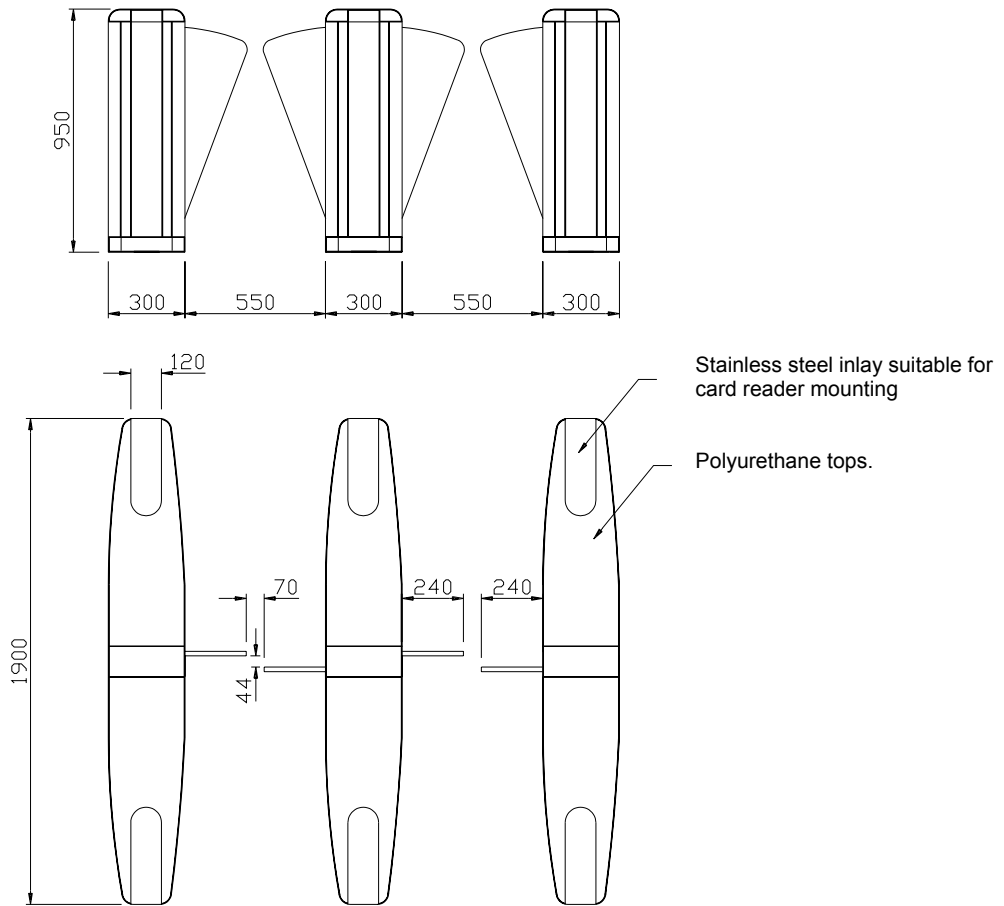
Concrete to BS 5328:1997 specification, type ST5. Base to be flat and level to +/- 5mm over the SpeedStile footprint area. 1500 x 500 x 150 deep min, per cabinet

**IMPORTANT**

- Any horizontal pipe or conduit runs below the SpeedStile must be at least 140mm below

## Site Preparation SpeedStile EP

Long Cabinet either Normally Closed or Open  
(Panels shown in closed position in First and Next Lane configuration)



Concrete to BS 5328:1997 specification, type ST5. Base to be flat and level to +/- 5mm over the SpeedStile footprint area. 2000 x 500 x 150 deep min, per cabinet

### IMPORTANT

- Any horizontal pipe or conduit runs below the SpeedStile must be at least 140mm below

**Flow Rates**

| Reader Device                       | Number per minute |
|-------------------------------------|-------------------|
| Insertion type                      | 30                |
| Insertion type with PIN code keypad | 20                |
| Swipe type                          | 25                |
| Swipe type with PIN code keypad     | 20                |
| Proximity 'Hands Free'              | 40                |

- Please note the figures are approximate and must be confirmed with Gunnebo Mayor Ltd. Figures quoted are for one person per complete passage per walkway and per minute. It is assumed the access control authorisation response is instantaneous. Flow rates will increase with multiple passage use.



**United Kingdom**

Gunnebo Mayor Ltd. Bellbrook Business Park, Uckfield, East Sussex, TN22 1QQ.  
Tel +44 (0) 1825 761022 Fax +44 (0) 1825 763835

Gunnebo Mayor Ltd. Orient House, Newton Street, Hyde, Cheshire, SK14 4RX  
Tel +44 (0) 161 882 5900 Fax +44 (0) 161 882 5910

[www.gunnebomayor.com](http://www.gunnebomayor.com)

*Note: In pursuit of its policy of continuous refinement and improvement, Gunnebo Mayor Ltd. reserves the right to modify design and details.*

**A COMPANY WITHIN THE GUNNEBO GROUP .....**

**HEAD OFFICE SWEDEN – Gunnebo Entrance Control AB, SE-590 93, Gunnebo.**  
Tel +46 (0) 490 89000, Fax +46 (0) 490 23889

**DENMARK** Gunnebo Protection A/S  
Division Entrance Control  
Erhvervsparken 3, DK-4621 Gadstrup  
Tel +45 46 19 14 66  
Fax +45 46 19 14 55

**FRANCE** Gunnebo Entrance Control SARL  
Zone d'Activites Le Mandinet,  
20 Rue des Campanules  
F-77185, Lognes  
Tel +33 (0) 1 64 80 14 40  
Fax +33 (0) 1 64 80 14 39

**GERMANY** Gunnebo Entrance Control GmbH  
Diagonalstrasse 41, D-20537  
Hamburg  
Tel +49 (0) 40 47 11 30 0  
Fax +49 (0) 40 47 11 30 79

**HONG KONG** Gunnebo Entrance Control  
Room 2312, C.C. Wu Building,  
302-308 Hennessy Road, Wanchai.  
Tel +852 2882 8337  
Fax +852 2523 7880

**ITALY** Gunnebo Italdis SpA  
Via A Volta 15 - IT 38015  
Lavis (TN)  
Tel +39 0461 248 900  
Fax +39 0461 248 999

**NORWAY** Gunnebo Troax A/S  
Division Entrance Control  
Postboks 179, Kalbakken N-0903, Oslo  
Tel +47 22 80 42 00  
Fax +47 22 80 42 01

**SPAIN** Gunnebo Entrance Control  
BBC, Comte d'Urgel 143, lola 08036,  
Barcelona  
Tel +34 93 452 59 56  
Fax +34 93 451 56 53

**SWEDEN** Gunnebo Entrance Control  
Box 500, Kumla Gardsvag 33F, 145 63  
Norsborg  
Tel +46 (0) 8 53 17 15 75  
Fax +46 (0) 8 53 18 85 39

**UNITED KINGDOM** Gunnebo Mayor Ltd  
Bellbrook Business Park, Uckfield,  
East Sussex, TN22 1QQ  
Tel +44 (0) 1825 761022  
Fax +44 (0) 1825 763835

**USA** Gunnebo Omega Inc  
5056 Commercial Circle, Suite E,  
Concord, California, CA 94520  
Tel +01 925 609 6339  
Fax +01 925 603 0810